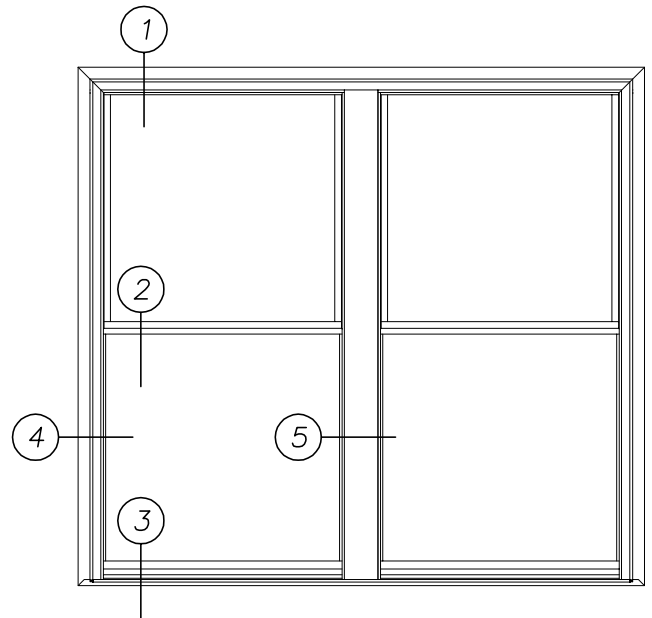
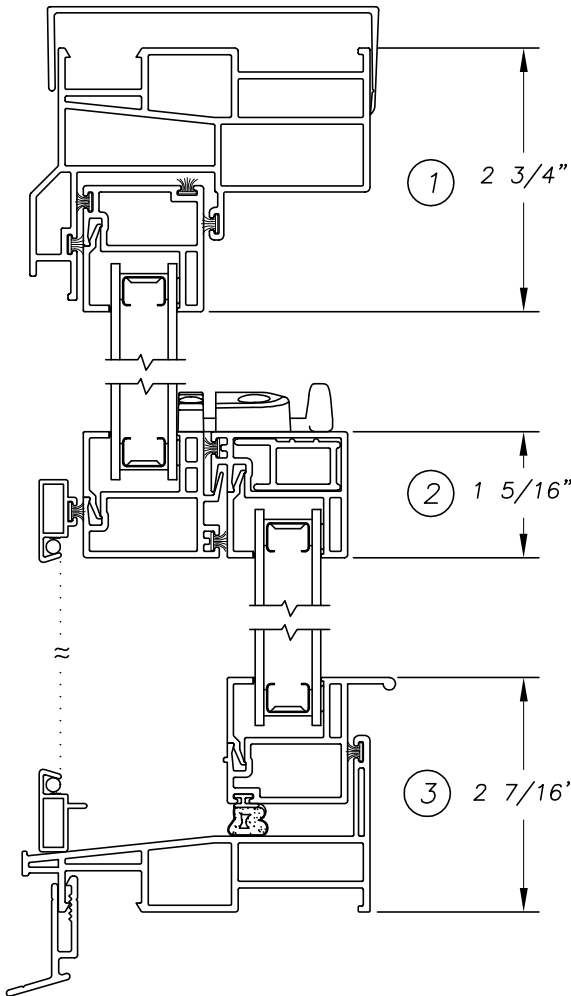


Harvey Building Products
 Slimline Replacement Single Hung
 SH-2 Common Jamb
 (1/2 Scale)



(1/20 Scale)

