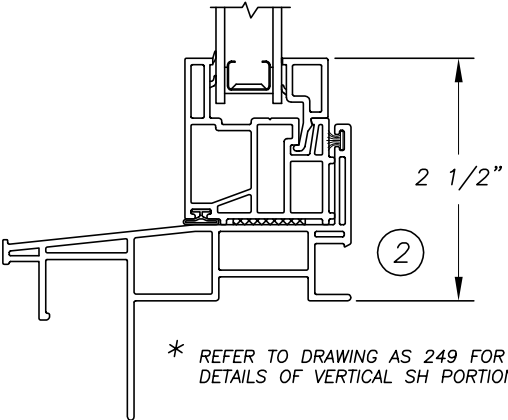
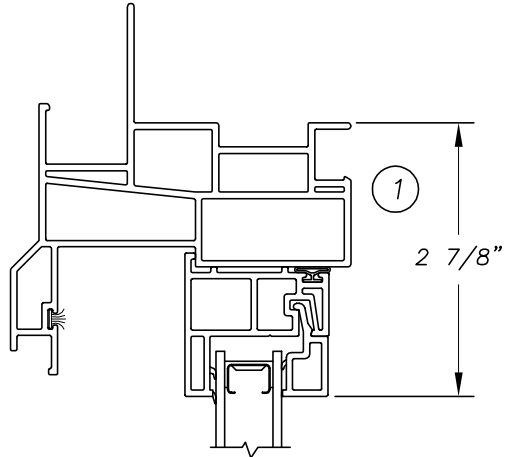
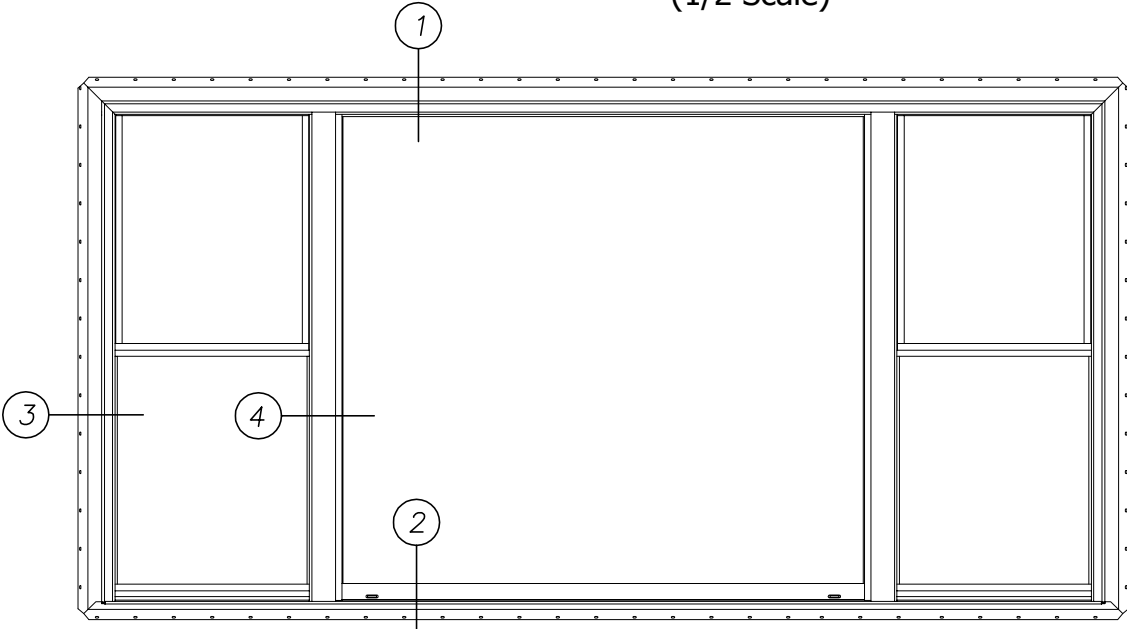


Harvey Building Products
 Slimline N.C. Single Hung
 SH-PW-SH Common Jamb
 (1/2 Scale)



* REFER TO DRAWING AS 249 FOR
 DETAILS OF VERTICAL SH PORTION



(1/20 Scale)

