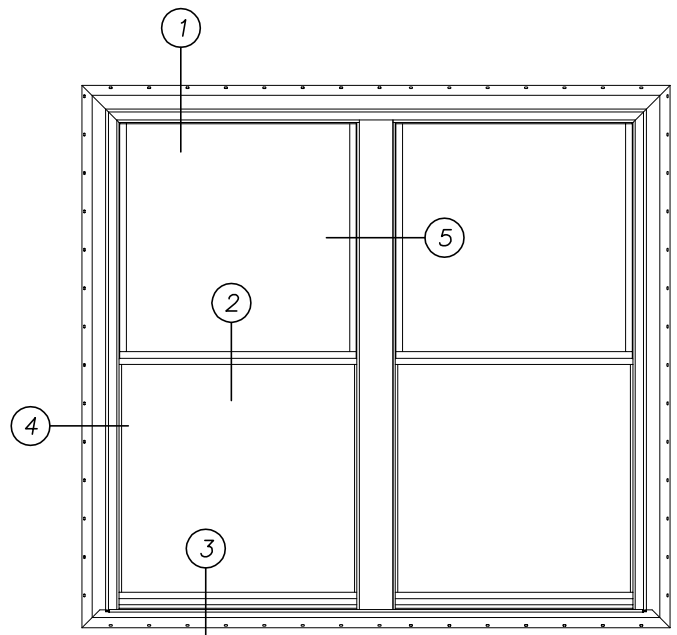
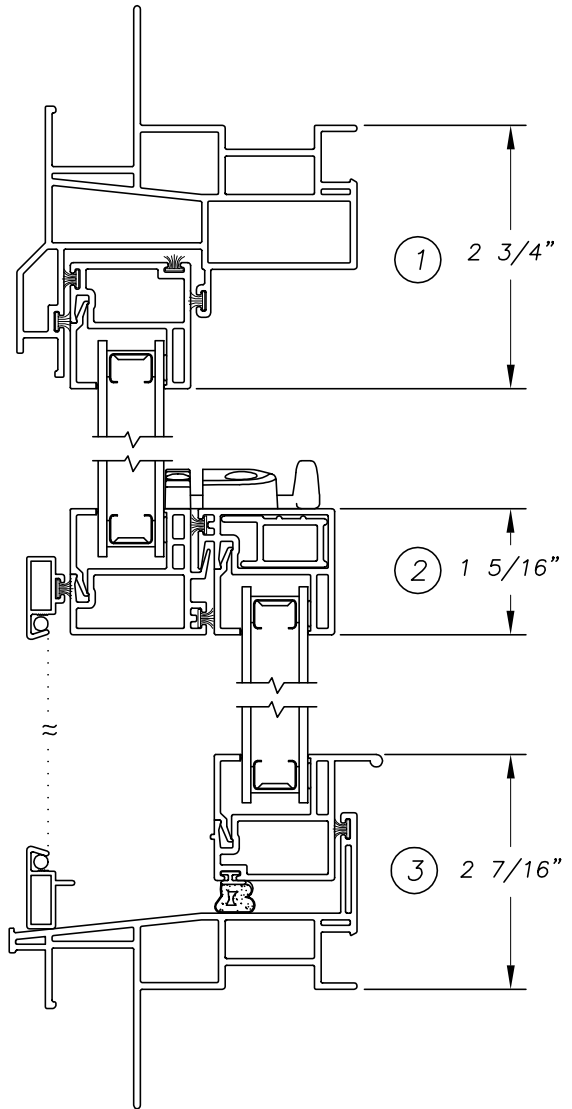


Harvey Building Products  
 Slimline N.C. Single Hung  
 SH-2 Common Jamb  
 (1/2 Scale)



(1/20)

